



5140194A



## SUN SENSOR BHz OUTDOOR

EN INSTRUCTIONS

### EN 1. PREREQUISITE INFORMATION

#### 1.1. FIELD OF APPLICATION

The Sun sensor BHz outdoor is a wireless sun sensor equipped BHz® radio technology. It transmits a recorded sunlight level to pilot sun protection applications automatically.

The SUN SENSOR BHz is used with control points two way information feedback (2W) such as the LiveIn2.

#### 1.2. SAFETY AND RESPONSIBILITY

Before installing and using the products, please read these instructions carefully.

These SIMU products must be installed by a professional motorisation and home automation installer, for whom these instructions are intended.

Moreover, the installer must comply with current standards and legislation in the country in which the product is being installed, and inform his customers of the conditions for use and maintenance of the products.

Any use outside the area of application specified by SIMU is prohibited. This invalidates the SIMU warranty and discharges SIMU of all liability, as does any failure to comply with the instructions provided herein.

Never install without first checking the compatibility of these products with the associated equipment and accessories.

### 2. CONTENTS

Illustration A

	Description	Quantity
a	SUN SENSOR BHz	1
b	Screws	2
c	Plugs	2
d	AA (LR6) 1.5 V batteries	2

#### THE SUN SENSOR BHz IN DETAIL

Illustration B

- e) Wall mount.
- f) Sunlight sensor.
- g) Programming button (PROG.).
- h) Orange battery indicator light (★) and green PROG. indicator light (☆).
- i) Battery housing.

Flashing / Constant light

Safety warning

Caution!

Information

### 3. INSTALLATION

SIMU accepts no liability in the event of damage to equipment caused by weather conditions not detected by the sensor.

Instructions which must be followed by the motorisation and home automation professional installing the drive.

Never drop, knock, drill or submerge the product.

Do not use abrasive products or solvents to clean the product. Clean the sensor with a dry cloth. Do not use a water jet or high pressure device to clean it.

The SUN SENSOR BHz uses a sunlight sensor. Make sure that this is clean at all times and not hidden by leaves, snow etc. You should also check that it is operating correctly at regular intervals.

#### 3.1. RECOMMENDATIONS

Illustration C

- Install the sensor in the vertical position, in an area where the light sensor will receive daylight, on an exterior wall, for example.
- Do not install the sensor under a balcony, eaves, an awning or in any other place where it could be shaded from the sun.
- Do not install the sensor under a lamp, lamppost or any other source of artificial light that may interfere with the detection of sunlight.
- Choose a location which is easy to access, so that the light sensor can be regularly cleaned.

### 3.2. MOUNTING AND FIXING THE SUN SENSOR BHz

Illustration D

- Drill two holes (6 mm in diameter) one above the other and approximately 17 mm apart.
- Fasten the wall mount using the screws provided, ensuring that the word "UP" is legible with the arrow pointing upwards and the water evacuation hole at the bottom.
- Place the SUN SENSOR BHz on the wall mount with the two arrows aligned and then turn it clockwise to lock it in position.

If the sensor is not mounted straight:

- Open the sensor by turning it anti-clockwise.
- Loosen the screw in the long hole and turn the wall bracket.
- Tighten the screw again and reattach the sensor to the wall bracket.

### 3.3. BATTERY INSTALLATION

Illustration E

Never use rechargeable batteries.

1. Open SUN SENSOR BHz:

Rotate the sensor on its wall bracket (anticlockwise) to align the two arrows on the side and separate the two parts.

2. Install the 2 supplied batteries, observing the polarity: the PROG. sensor's indicator light comes on green.

3. Leave the sensor open to continue commissioning.

### 4. COMMISSIONING

#### RECORDING THE SUN SENSOR BHz IN A TWO-WAY SYSTEM (LIVEIN2).

Refer to the guide for the SIMU BHz two-way control point.

### 5. TIPS AND RECOMMENDATIONS

#### 5.1. QUESTIONS ABOUT THE SUN SENSOR BHz ?

Observations	Possible causes	Solutions
The SUN SENSOR BHz battery indicator light flashes orange when the batteries are installed.	The batteries are low.	Remove the batteries and fit 2 new alkaline AA (LR6) 1.5 V batteries, making sure they are correctly positioned according to the polarity.

#### 5.2. REPLACING THE BATTERIES IN THE SUN SENSOR BHz

See the "Installing the batteries" section

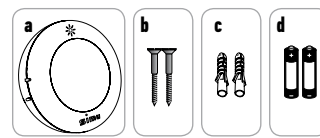
### 6. TECHNICAL DATA

Radio frequency:	868-870 MHz io homecontrol® two-way tri-band
Frequency range and maximum power used:	868.000 MHz - 868.600 MHz p.a.r. <25 mW 868.700 MHz - 869.200 MHz p.a.r. <25 mW 869.700 MHz - 870.000 MHz p.a.r. <25 mW
Radio range	250 m in open space
Safety level:	Class III
Operating temperature:	-20°C to +55°C -4°F to +131°F
Dimensions of the Sun sensor BHz in mm (h x l x d):	78 x 78 x 37
Power supply:	2 type AA (LR6) batteries, 1.5 V.

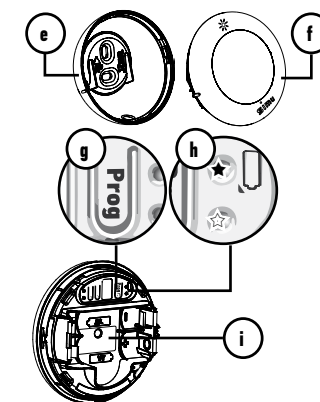
Please separate storage cells and batteries from other types of waste and recycle them via your local collection facility.

SIMU hereby declares that the radio equipment covered by these instructions is in compliance with the requirements of the Radio Directive 2014/53/EU and the other essential requirements of the applicable European Directives. The full text of the EU Declaration of Conformity is available at [www.simu.com](http://www.simu.com).

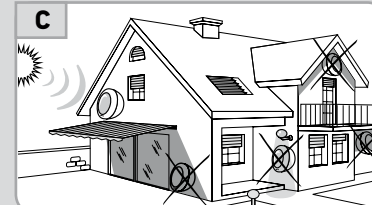
A



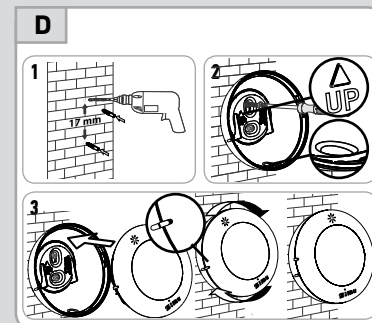
B



C



D



E

